

## Indoor/Outdoor high-speed PTZ camera systems with IOP and multi-protocol capabilities



### DESCRIPTION

Infinova's V1492 series integrated high-speed PTZ camera systems represent a state-of-the-art line of indoor or outdoor applications that feature a powder-coated, aluminum construction, integrated camera sled assembly mount PTZ cameras. A built-in heater, window defroster/defogger with wiper and sun shield are standard features on the V1492 series. In low temperatures, the V1492 has a heating device to insure a fixed temperature environment. The V1492 series also features an Integrated Optics Package (IOP), built-in memory to store camera settings, including labels, presets, patterns and zones. These leading PTZ camera systems are an ideal product for the changing environment that is today's security industry.

Infinova's V1492 series variable Pan/Tilt speeds range from 0.1° to 50° per second in manual pan mode and from 0.1° to 25° per second in manual tilt mode. Preset pan speeds are 100° per seconds in wind speeds of 50 mph and 50° per seconds with wind speeds of 90 mph. The variable speed capabilities range from a smooth, fast pan motion of 100° per second to a low speed of 1.0° per second. The V1492 series are capable of a 360° continuous pan rotation. The tilt range allows for horizontal viewing of +40° ~ -90°.

Infinova's V1492 series PTZ cameras are available as 18x12, 26x12, and 36x12 optical / digital zoom, ensuring the ability to find the right camera for a project. Separate definable privacy zones can be set by the administrators to prevent users from viewing restricted areas. The V1492 series have an absolute operating temperature range of -22°F ~ 140°F (-30°C ~ 60°C). The V1492 series are available with an input voltage of 24 VAC or with a selectable power source of 24 VDC / 120 VAC / 230 VAC.

The V1492 series include a window wiper. The wiper is completely integrated into the enclosure and does not interfere with the viewing range of the system. The wiper can be programmed to delay between wipes and to automatically shut off after a specified period. The wiper design also allows for easy replacement of the wiper blade. For a wide range of applications, the V1492 feature a choice of many of mainstream IOP cameras.

### FEATURES

- SONY cameras
- Integral Multi-Protocol Receiver/Driver
- Compatible with 3<sup>rd</sup> party controllers
- Integrated with INFINOVA, PELCO-P/D protocol (Autosensing) and Up-the-coax protocol
- Set address and baud rate via software or DIP switch
- 254 selectable addresses
- Up to 254 presets with labels
- 6 programmable tours
- 4 programmable patterns
- 4 Auto-Pan
- 1 Auto-Scan
- Automatically home position
- Alarm function (optional)
- Direction display function
- 16 programmable zones with 16 characters each
- One kind of privacy masking mode to mask private scene
- 18X, 26X and 36X optical zoom available
- Wide dynamic range on 36X
- 360° continuous pan rotation
- Unobstructed +40° ~ -90° Vertical Tilt Range
- Window wiper, built-in heater and window defroster/defogger included
- Operational in 90 mph wind conditions; withstanding wind velocity of up to 130 mph

### ORDERING INFORMATION

V1492-18A05	Integrated High-speed PTZ Camera System (NTSC, 18X, 24 VDC)
V1492-18A06	Integrated High-speed PTZ Camera System (NTSC, 18X, 24 VAC)
V1492-18A07	Integrated High-speed PTZ Camera System (NTSC, 18X, 120 VAC)
V1492-18A15	Integrated High-speed PTZ Camera System (PAL, 18X, 24 VDC)
V1492-18A16	Integrated High-speed PTZ Camera System (PAL, 18X, 24 VAC)
V1492-18A18	Integrated High-speed PTZ Camera System (PAL, 18X, 230 VAC)
V1492-26A05	Integrated High-speed PTZ Camera System (NTSC, 26X, 24 VDC)
V1492-26A06	Integrated High-speed PTZ Camera System (NTSC, 26X, 24 VAC)
V1492-26A07	Integrated High-speed PTZ Camera System (NTSC, 26X, 120 VAC)
V1492-26A15	Integrated High-speed PTZ Camera System (PAL, 26X, 24 VDC)
V1492-26A16	Integrated High-speed PTZ Camera System (PAL, 26X, 24 VAC)
V1492-26A18	Integrated High-speed PTZ Camera System (PAL, 26X, 230 VAC)
V1492-36A05	Integrated High-speed PTZ Camera System (NTSC, 36X, 24 VDC)
V1492-36A06	Integrated High-speed PTZ Camera System (NTSC, 36X, 24 VAC)
V1492-36A07	Integrated High-speed PTZ Camera System (NTSC, 36X, 120 VAC)
V1492-36A15	Integrated High-speed PTZ Camera System (PAL, 36X, 24 VDC)
V1492-36A16	Integrated High-speed PTZ Camera System (PAL, 36X, 24 VAC)
V1492-36A18	Integrated High-speed PTZ Camera System (PAL, 36X, 230 VAC)

### Part Number Extensions for Alarm Selection:

Without Alarm	With Alarm	EX:	EX: With Alarm
none	W	V1492-18A06	V1492-18A06W

### SPECIFICATIONS

#### General

Decoder:	INFINOVA, PELCO-P/D, Up-the-coax
Maximum Presets:	254
Tour:	6
Pattern:	4
Auto Pan:	4
Auto Scan:	1
Alarm (optional):	2 alarm Inputs, 2 relay outputs

#### Mechanical

Pan Movement:	360° Continuous Pan Rotation
Vertical Tilt:	Unobstructed +40° ~ -90°
Variable Pan/Tilt Speed:	
Pan:	0.1° ~ 50°/s variable-speed operation
Tilt:	0.1° ~ 25°/s variable-speed operation

#### Preset Speeds

Pan:	100°/s
Tilt:	30°/s

Camera Mounting: Integrated camera sled assembly

#### Load:

Pan:	22 lbs. (10 kg)
Tilt:	7.7 lbs. (3.5 kg)
Weight:	21 lbs. (9.5 kg)
Construction:	Die-cast, extruded and sheet aluminum; stainless steel hardware

Environmental Rating: IP66

Auto Controlled Temperature

Heater:	Turns on at 46°F ± 9°F (8°C ± 5°C) Turns off at 68°F ± 9°F (20°C ± 5°C)
---------	--

#### Environmental

Environment Air Pressure: ≤ 1.5 Mpa

Temperature: -22°F ~ 140°F (-30°C ~ 60°C)

Humidity: 0~95% RH (non-condensing)

#### Electrical

Input Voltage: 24 VDC, 24VAC, 120 VAC or 230 VAC, 50/60 Hz

#### Power Consumption

24 VDC:	53 W
24 VAC:	46 W
120 VAC:	56 W
230 VAC:	59 W

Heater: Thermostatically controlled  
Video Coaxial Cable: Maximum Wiring Distances Cable Type

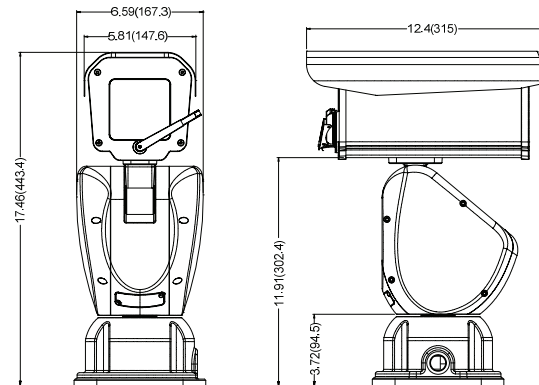
Maximum Distance	
RG59/U:	750' (229 m)
RG6/U:	1,000' (305 m)
RG11/U:	1,500' (457 m)

#### Certifications

FCC, CE

ISO 9001:2000

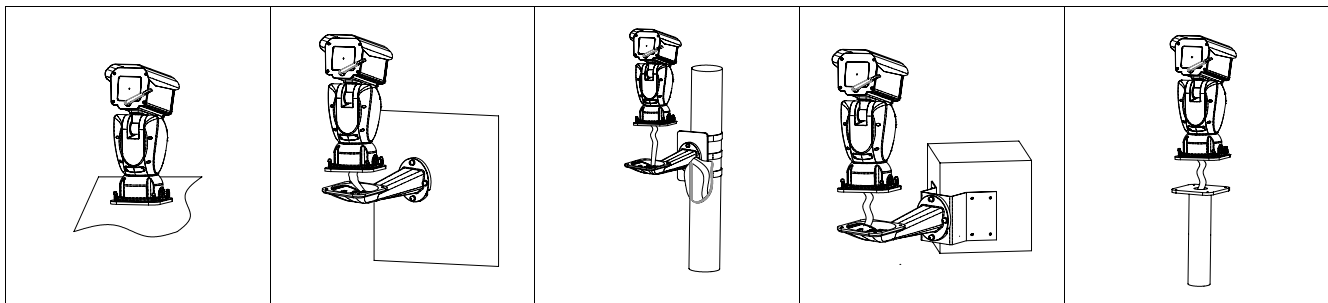
#### DIMENSIONS (Unit: inch, in the parentheses is mm)



Front View

Side View

### MOUNTING



Surface Mount

Wall Mount

Pole Side Mount

Corner Mount

Pole Top Mount

#### Recommended Installation Mounts

V1662-W1	Wall Mount, 15"
V1662-S1	Pole Side Mount, 15"
V1662-C1	Corner Mount, 15"

**CAMERA/OPTICS**

Optic Zoom	18X	26X	36X
Video Type	PAL/NTSC (Color)	PAL/NTSC (D/N)	PAL/NTSC (D/N)
Scanning System	2:1 Interlace scanning		
Image Sensor	1/4" Interlace scanning CCD		
Resolution	PAL/440K:752(H) x 582 (V); NTSC/380K:768 (H) x 494 (V)		
Aperture/Focal Length	F1.4 ~ F3.0 f =4.1 ~ 73.8 mm	F1.6 ~ F3.8 f=2.5 ~ 91 mm	F1.6 ~ F4.5 f=3.4~122.4mm
Angle of View	48°(Wide) / 2.8°(Tele)	54.2° (Wide) / 2.2° (Tele)	57.8°(Wide) / 1.7°(Tele)
Min. working distance	0.029 m (Wide)~ 0.8 m (Tele)	0.32 m (Wide)~ 1.5 m (Tele)	0.32m (Wide) ~ 1.5m(Tele)
Sensitivity	1.0 lux (PAL: 1/50s,NTSC: 1/60s)	Color Mode (IR-Cut On): 1 lux(NTSC: 1/60s,PAL: 1/50s) 0.07 lux (NTSC: 1/4s,PAL: 1/3s) B/W Mode (IR-Cut Off): 0.15 lux (NTSC: 1/60s,PAL: 1/50s) 0.01 lux (NTSC: 1/4s,PAL: 1/3s)	Color Mode (IR-Cut On): 1.4 lux (NTSC: 1/60s,PAL: 1/50s) 0.1 lux (NTSC: 1/4s,PAL: 1/3s) B/W Mode (IR-Cut Off): 0.01 lux (NTSC: 1/4s,PAL: 1/3s)
Horizontal	480TVL		530TVL
S/N Ratio	>50dB		
Video Output	1.0 ± 0.2 Vp-p		
Backlight	Off/On		
Sync System	Internal/External		
WDR	/	/	Off/On
Digital Zoom	1~12X adjustable		
DSS	No	Yes	Yes
Focus	Auto/Manual (Near - Far)		
White Balance	AUTO/MANU/ATW/INDOOR/OUTDOOR		
Shutter Speed	Auto: Default Set Manual: PAL:1/50~1/10000s NTSC:1/60~1/10000s	Auto: Default Set Manual: PAL: 1/1~1/10000s NTSC: 1/1~1/10000s	Auto: Default Set Manual: PAL: 1/1~1/10000s NTSC: 1/1~1/10000s
Iris	Auto/Manual		