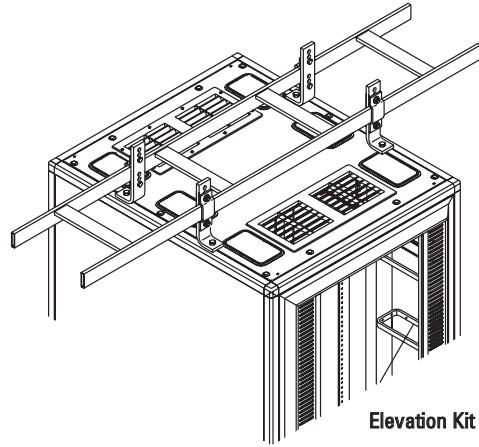


# Product Information Sheet

## CABLE RUNWAY ELEVATION KIT

For supporting Cable Runway above a continuous row of CPI racks or cabinets of varying height. It also provides additional space between the tops of the racks or cabinets and the cable runway, which can be used to create smoother vertical to horizontal transition of cables.

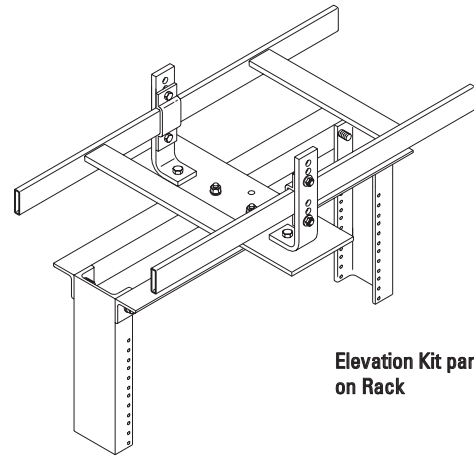
- Two ranges of incremental elevation: 2" to 3" or 4" to 6"
- Can be mounted in both perpendicular and parallel orientation
- Rack kit includes a single pair of brackets and assembly hardware
- Rack kits attach to the top of the rack with a Rack-To-Runway Mounting Plate (P/N 10595 or 12121, sold separately)
- Cabinet kits include two pairs of brackets and assembly hardware
- Cabinet kits attach directly to the top of the cabinet



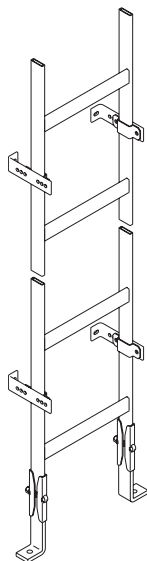
Elevation Kit on Cabinet

2", 2.5", or 3" High Elevation				
Rack	Shipping Weight	Cabinet	Shipping Weight	Color
10506-102	1.5 lb	10506-112	2 lb	Gray
10506-202	1.5 lb	10506-212	2 lb	White
10506-702	1.5 lb	10506-712	2 lb	Black
10506-002	1.5 lb	10506-012	2 lb	Gold
4", 5", or 6" High Elevation				
Rack	Shipping Weight	Cabinet	Shipping Weight	Color
10506-106	3 lb	10506-116	5 lb	Gray
10506-206	3 lb	10506-216	5 lb	White
10506-706	3 lb	10506-716	5 lb	Black
10506-006	3 lb	10506-016	5 lb	Gold

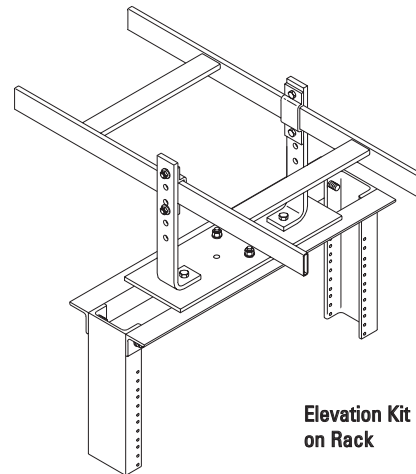
Note: Gold (-0XX) and White (-2XX) kits include gold-colored hardware. Gray (-1XX) and Black (-7XX) kits include black-colored hardware.



Elevation Kit parallel on Rack



Wall-Mounted Option



Elevation Kit perpendicular on Rack

800-834-4969 in U.S. & Canada • [www.chatsworth.com](http://www.chatsworth.com)