

Product Cut Sheet

CABLE RUNWAY WALL TO RACK KIT

The CPI Cable Runway Wall To Rack Kit is a one part number solution to the problem of providing support for cable between the rack and the wall.

Kit consists of:

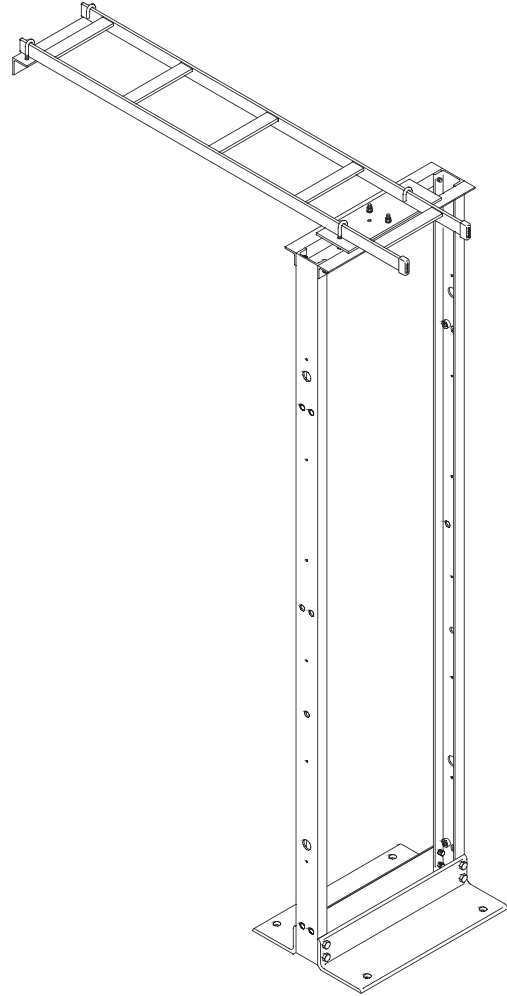
- 54" (4' 6") long universal cable runway
- Wall angle support bracket
- Rack to runway mounting plate
- Pair of end caps
- (6) J-bolts

Use kit Part Number 11911 when attaching to a Standard and/or Universal series rack with a 3" deep mounting channel. Use kit number 31473 with a Standard Rack.

The kit is available with runway that is 6', 9' or 12' wide. Rack is not included. Configure your requirements using the part number matrix below.

Part Number	Description	Shipping Weight lb (kg)
Standard and Universal Racks with 3"D (80 mm) Mounting Channels Width - in (mm)		
11911-X06	6 (150) Cable Runway Wall to Rack Kit	24 (10.9)
11911-X09	9 (230) Cable Runway Wall to Rack Kit	28 (12.7)
11911-X12	12 (300) Cable Runway Wall to Rack Kit	32 (14.5)
Standard Rack with 6"D (150 mm) Mounting Channels Width - in (mm)		
31473-X06	6 (150) Cable Runway Wall to Rack Kit	17 (7.7)
31473-X09	9 (230) Cable Runway Wall to Rack Kit	19 (8.6)
31473-X12	12 (300) Cable Runway Wall to Rack Kit	24 (10.9)

* Note: X=color: 1=Gray, 2=White, 7=Black



800-834-4969 in U.S. & Canada • www.chatsworth.com



CHATSWORTH PRODUCTS, INC.

©2010 Chatsworth Products, Inc. All rights reserved. CPI, CPI Passive Cooling, Saf-T-Grip, Seismic Frame, SlimFrame, MegaFrame and TeraFrame are federally registered trademarks of Chatsworth Products, Inc. Cube-IT Plus, Evolution, OnTrac, QuadraRack and Simply Efficient are trademarks of Chatsworth Products, Inc. All other trademarks belong to their respective companies. 04/10