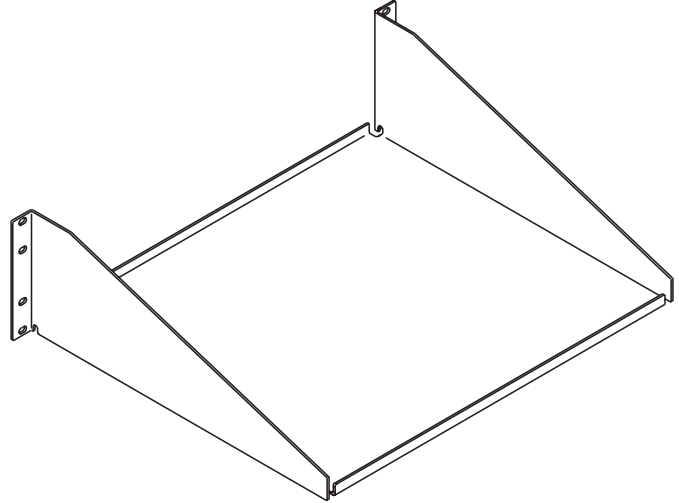


Product Information Sheet

STANDARD SINGLE-SIDED STEEL SHELF

Provides a convenient, economical rack or wall mounted shelf for miscellaneous equipment, test gear, etc. Made of cold-rolled steel. This shelf is designed for price conscious, high-volume customers while still offering the quality and service which sets CPI shelves apart from their competition. This basic shelf offers features comparable to those of other manufactures. For customers needing greater breadth of features, we recommend the myriad of CPI shelves found in our Mini Catalog. Mounting hardware not included.

- Holds equipment up to 17.25" wide
- Usable depth of 14.75"
- Supports up to 35 lb
- May be rack or wall mounted
- Sold individually. two per standard shipping carton



Part Number	Description	Shipping Weight
40750-719	Single-Sided Steel Shelf, Black	12 lb

800-834-4969 in US & Canada • www.chatsworth.com



CHATSWORTH PRODUCTS, INC.

©2001 Chatsworth Products, Inc. 4/01