

Opt-X® 500i RACK-MOUNT ENCLOSURES 1RU, 2RU, & 3RU

APPLICATION

The Opt-X 500i Rack-Mount Enclosure allows for inter-connect or cross-connect between backbone cable and active equipment while using minimum rack-space in a frame or cabinet setting. The enclosure's features and design allow for easy field termination of connectors, splicing, or pre-terminated plug-n-play solutions. This economical enclosure is ideal for small enterprise applications.



SPECIFICATION

Fiber enclosure shall be available in 1RU, 2RU, and 3RU versions to accommodate termination and splicing of fiber. Adapter bulkhead shall accept SC, LC, ST, and MTP® adapters, and Plug-n-Play MTP modules/cassettes. Fiber cable management for routing, storage, and protection shall be inclusive of patch cords, tight-buffer fiber, and backbone cables. Enclosure shall be constructed of 16-gauge steel with a powder-coated black finish and be mountable in a 19" rack or cabinet frame.

FEATURES

- Flush-mount adapter bulkhead for ease of moves, adds, and changes
- Stackable fiber rings simplify cable routing and organization
- One-piece removable cover allows for complete accessibility to the back of the enclosure and protect fibers
- Constructed of 16-gauge steel, powder-coated black
- Add-on patch cord cable management trough (sold separately) using existing rack unit

DESIGN CONSIDERATIONS

- Enclosures are sold empty (unloaded)
- Accepts Opt-X adapter plates and/or Opt-X MTP modules/cassettes
- Optional cable strain relief mounting kits (for installation on side of enclosure or on rack post)
- 19" enclosure/cabinet rack mount
- Enclosure is capable of storing up to 3 meters of 900 µm tight buffered fiber per adapter
- Accessory kit consists of cable ties, mounting ear screws, and ID label

STANDARDS COMPLIANCE

Meets or exceeds all TIA-568-C.3 requirements

PHYSICAL SPECIFICATIONS

Capacity and dimensions: See page two

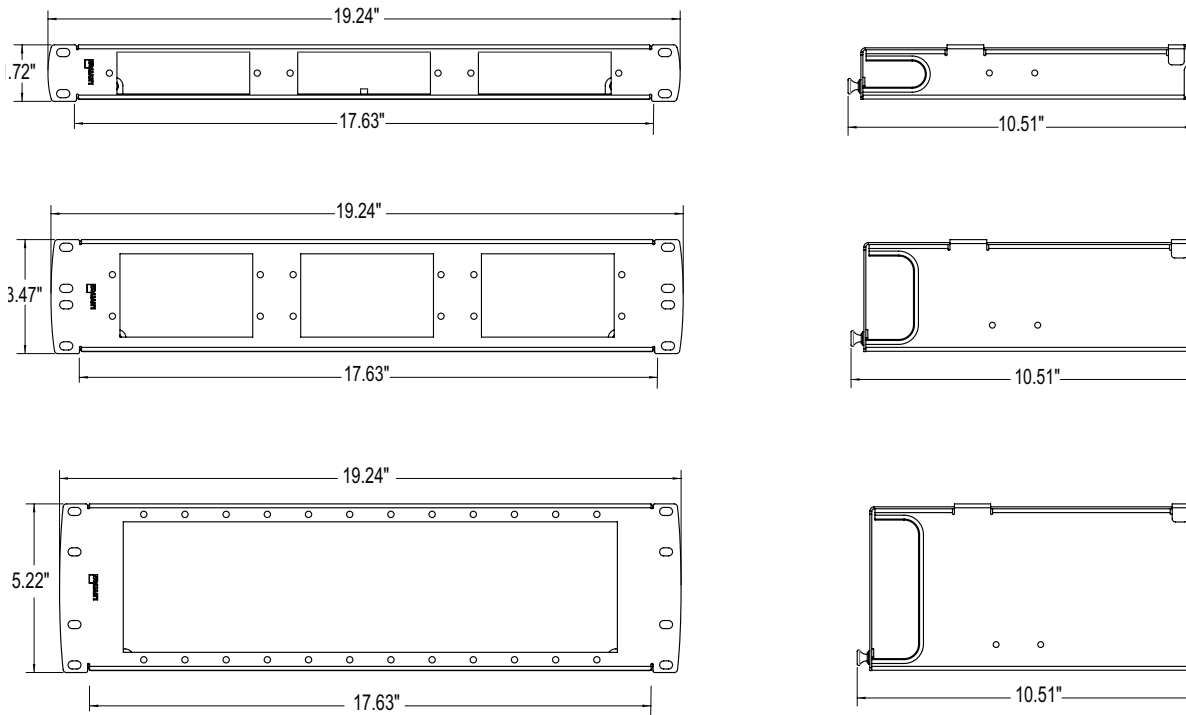
Materials: Constructed of 16-gauge steel, powder-coated black

WARRANTY INFORMATION

For warranty information, go to leviton.com or call 800.722.2072.

ELECTRONIC FILES

For CAD files, typical specs, or technical drawings (.DXF, .DWG, Visio), visit www.leviton.com.



5RxUL-Fxx

DENSITY			
Rack Unit	Fibers (using LC)	Adapter Plate or MTP® Module/Cassette	Splice trays
1RU	72	Up to 3 (horizontal orientation)	Up to 3
2RU	144	Up to 6 (horizontal orientation)	Up to 6
3RU	288	Up to 12 (vertical orientation)	Up to 12

OPT-X 500i® RACK-MOUNT ENCLOSURES	
DESCRIPTION	PART NO.
Opt-X 500i, 1RU Enclosure, Empty	5R1UL-F03
Opt-X 500i, 2RU Enclosure, Empty	5R2UL-F06
Opt-X 500i, 3RU Enclosure, Empty	5R3UL-F12

ACCESSORIES	
DESCRIPTION	PART NO.
Universal Opt-X Clamp Kit (for enclosure)	5RCMP-KIT
Universal Opt-X Clamp Kit (for rack post)	5RCMR-KIT
Fiber Cable Management ¼ Ring Kit (bag of four)	5R100-14R
Opt-X 500i Patch Cord Management Tray, 1RU	5R1UL-CMT
Opt-X 500i Patch Cord Management Tray, 2/3RU	5R2UL-CMT

